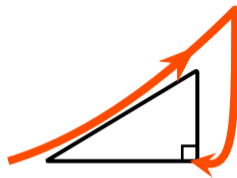
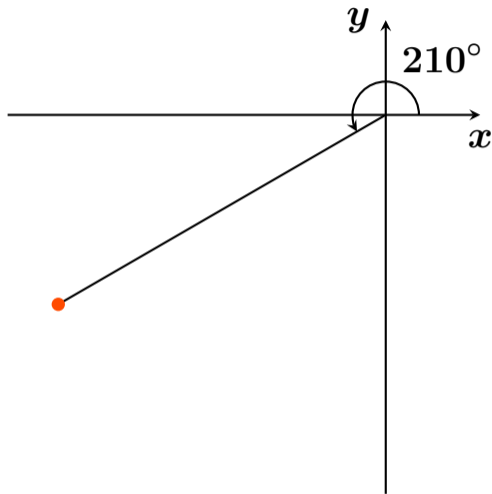
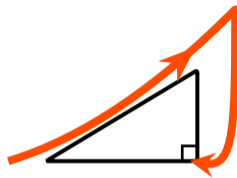
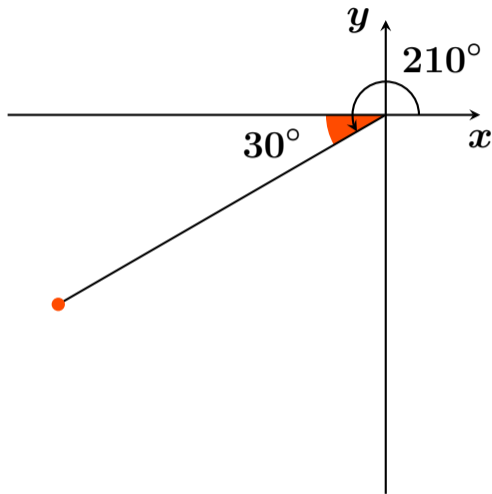


$\sin 210^\circ$



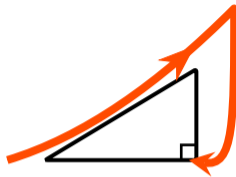
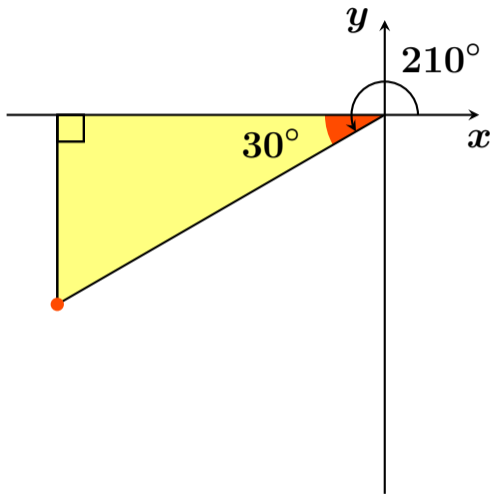
$$\sin = \frac{\text{縦}}{\text{斜め}}$$

$\sin 210^\circ$



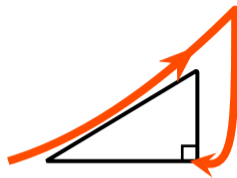
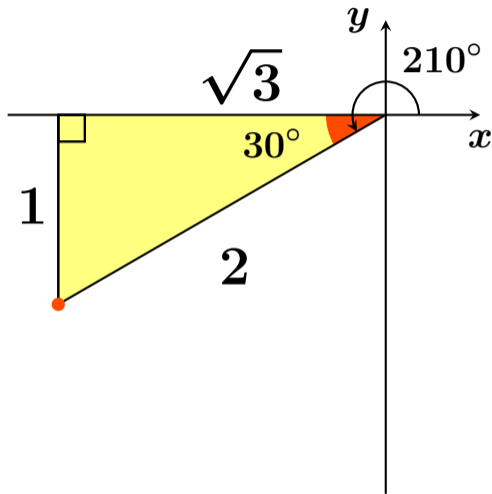
$$\sin = \frac{\text{縦}}{\text{斜め}}$$

$\sin 210^\circ$



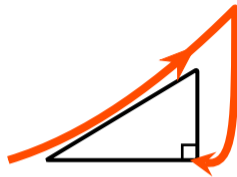
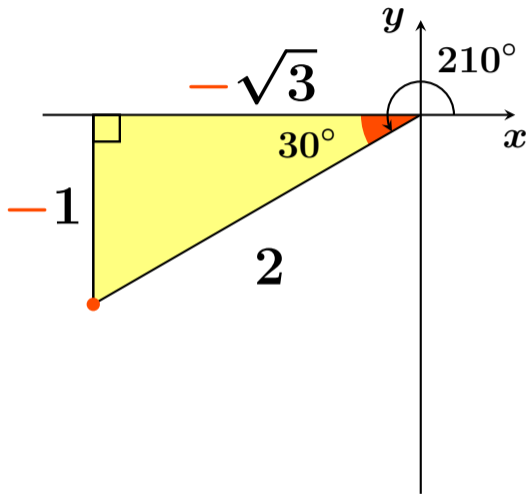
$$\sin = \frac{\text{縦}}{\text{斜め}}$$

$\sin 210^\circ$



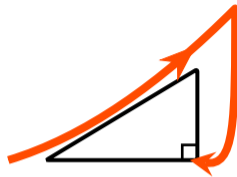
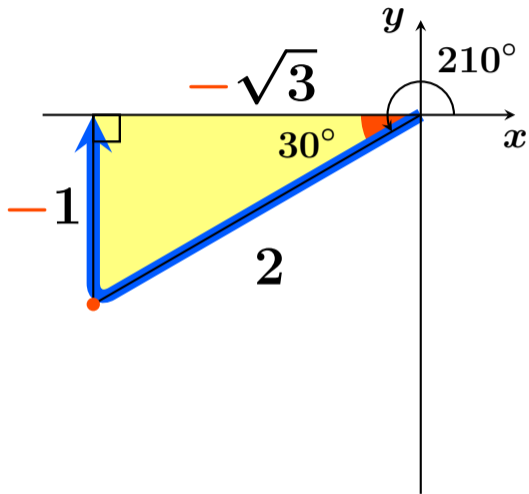
$$\sin = \frac{\text{縦}}{\text{斜め}}$$

$\sin 210^\circ$



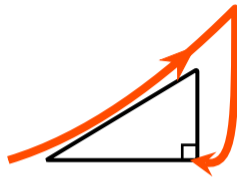
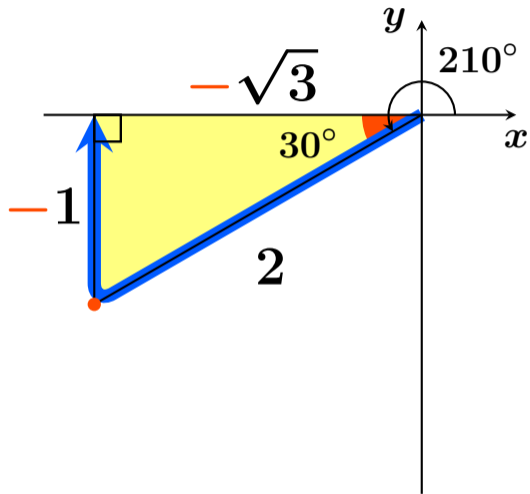
$$\sin = \frac{\text{縦}}{\text{斜め}}$$

$\sin 210^\circ$



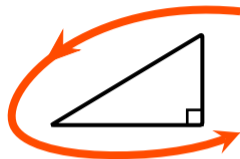
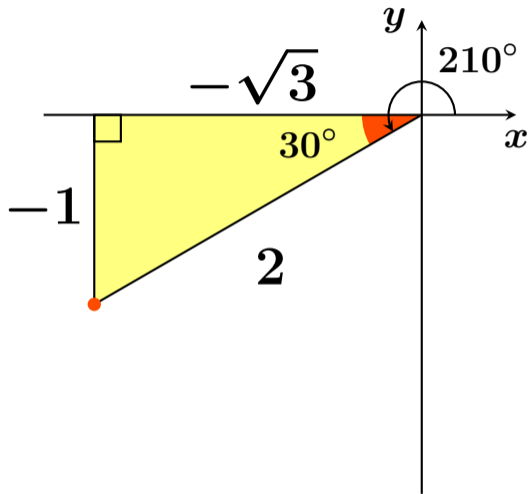
$$\sin = \frac{\text{縦}}{\text{斜め}}$$

$\sin 210^\circ$



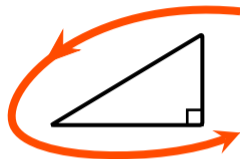
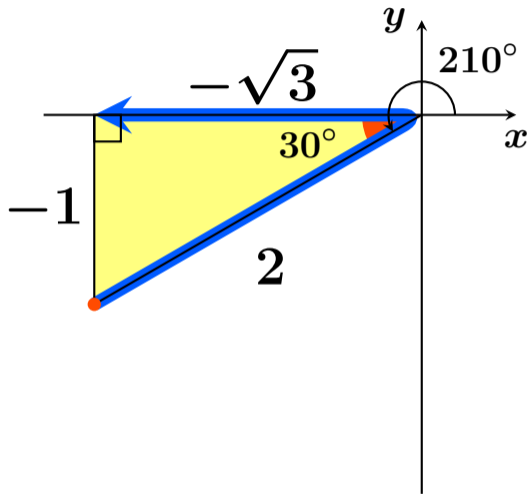
$$\sin 210^\circ = -\frac{1}{2} \quad \boxed{\text{答}}$$

$\cos 210^\circ$



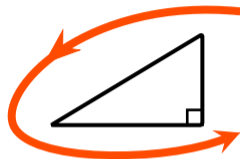
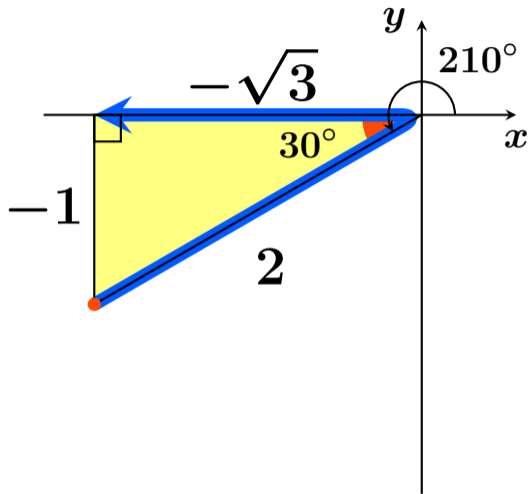
$$\cos = \frac{\text{横}}{\text{斜め}}$$

$\cos 210^\circ$



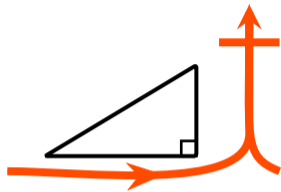
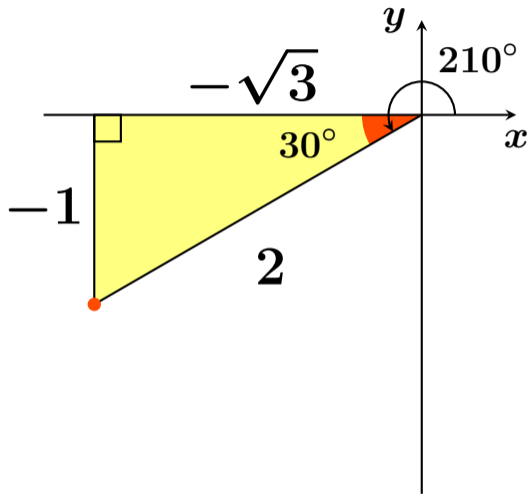
$$\cos = \frac{\text{横}}{\text{斜め}}$$

$\cos 210^\circ$



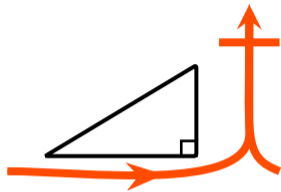
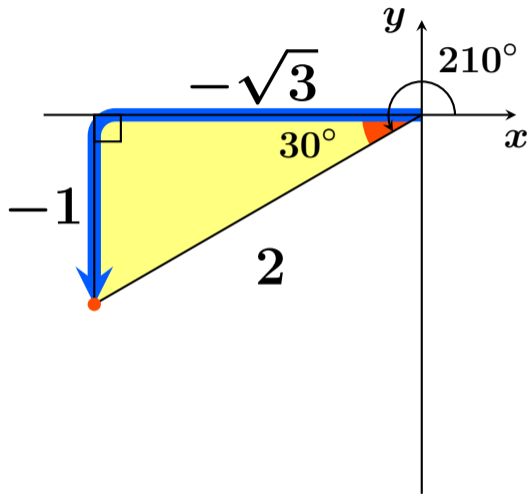
$$\cos 210^\circ = \frac{-\sqrt{3}}{2} \quad \boxed{\text{答}}$$

$\tan 210^\circ$



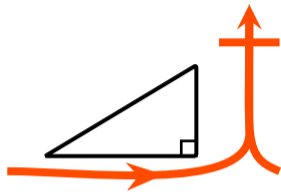
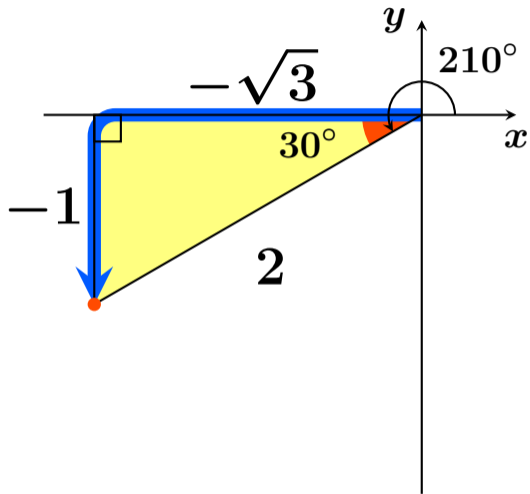
$$\tan = \frac{\text{縦}}{\text{横}}$$

$\tan 210^\circ$



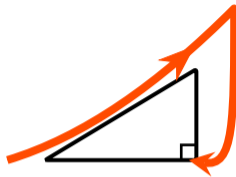
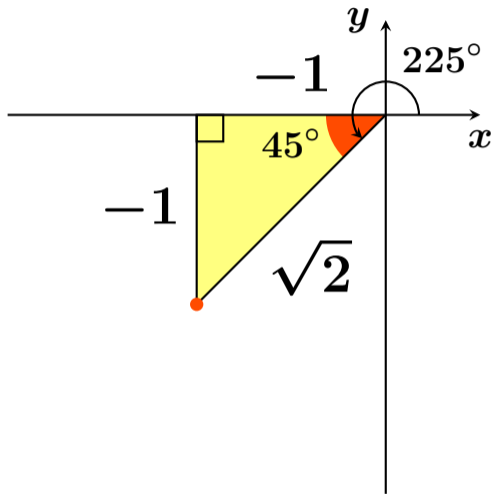
$$\tan = \frac{\text{縦}}{\text{横}}$$

$\tan 210^\circ$



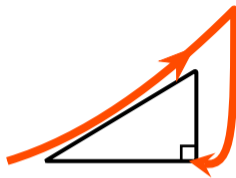
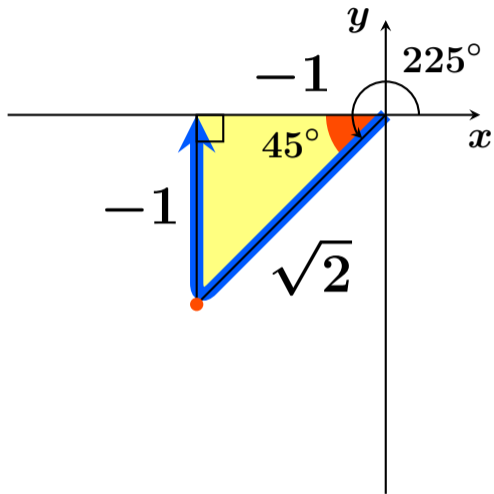
$$\begin{aligned}\tan 210^\circ &= \frac{-1}{-\sqrt{3}} \\ &= \frac{1}{\sqrt{3}} \quad \boxed{\text{答}}\end{aligned}$$

$\sin 225^\circ$



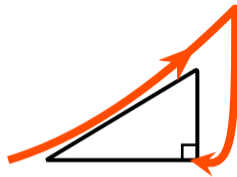
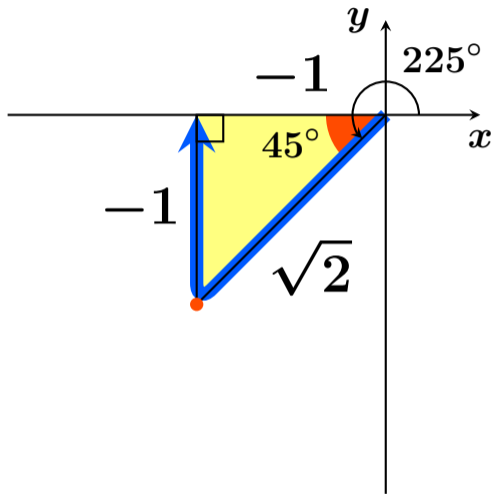
$$\sin = \frac{\text{縦}}{\text{斜め}}$$

$\sin 225^\circ$



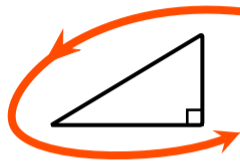
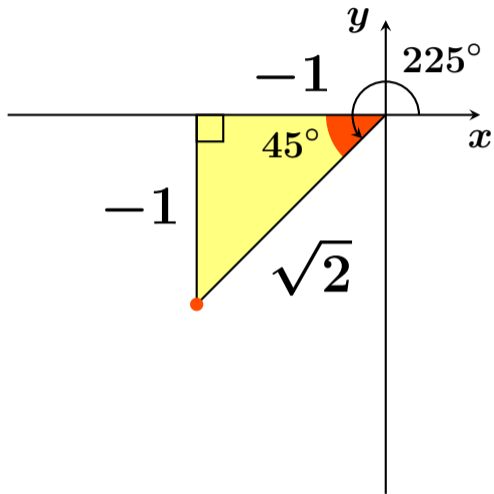
$$\sin = \frac{\text{縦}}{\text{斜め}}$$

$\sin 225^\circ$



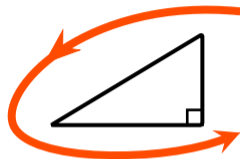
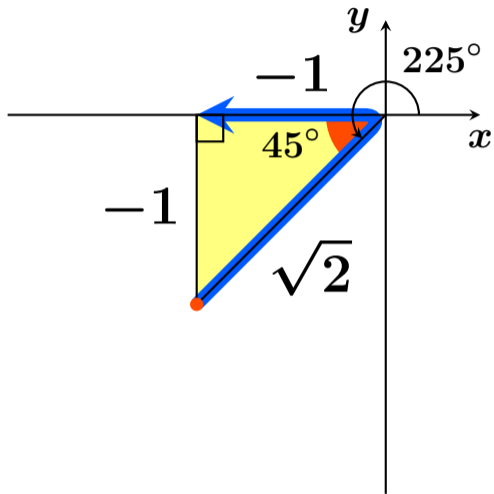
$$\sin 225^\circ = \frac{-1}{\sqrt{2}} \quad \boxed{\text{答}}$$

$\cos 225^\circ$



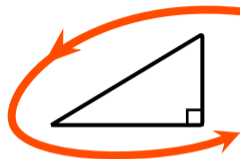
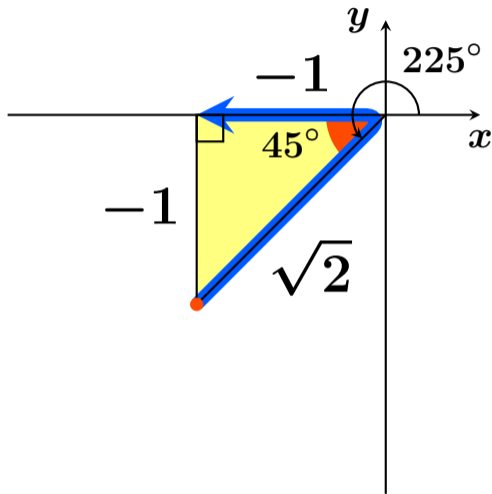
$$\cos = \frac{\text{横}}{\text{斜め}}$$

$\cos 225^\circ$



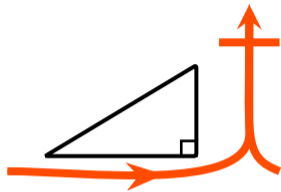
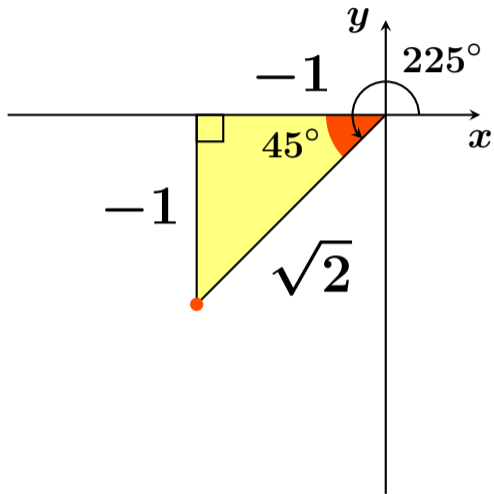
$$\cos = \frac{\text{横}}{\text{斜め}}$$

$\cos 225^\circ$



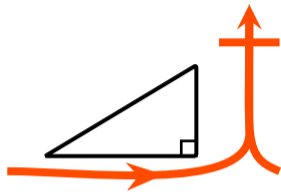
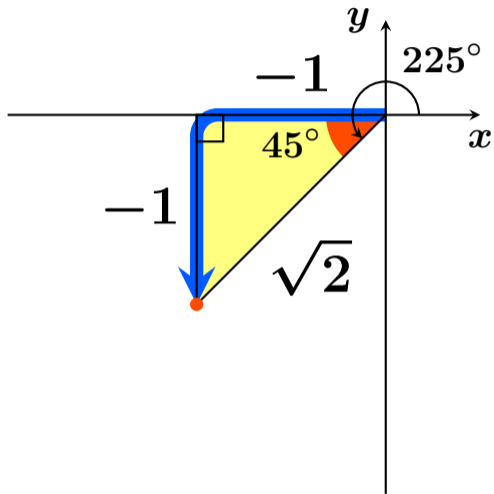
$$\cos 225^\circ = \frac{-1}{\sqrt{2}} \quad \boxed{\text{答}}$$

$\tan 225^\circ$



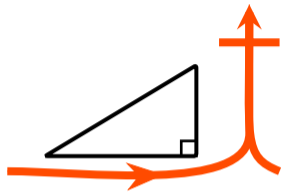
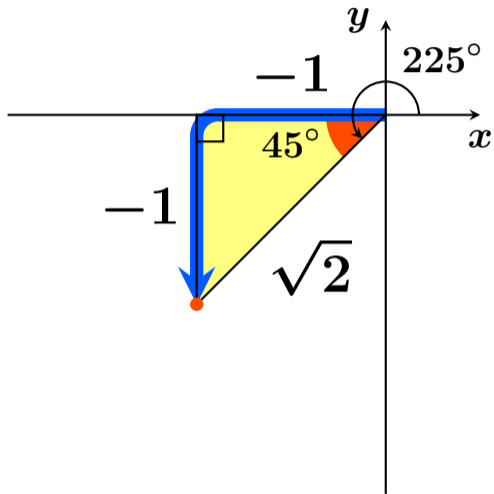
$$\tan = \frac{\text{縦}}{\text{横}}$$

$\tan 225^\circ$



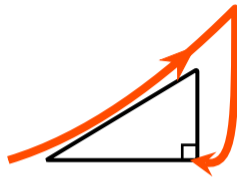
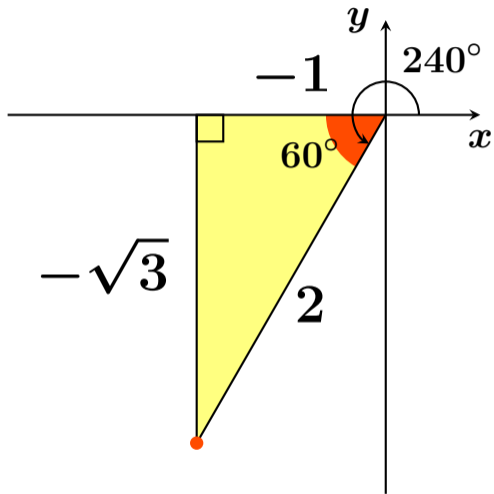
$$\tan = \frac{\text{縦}}{\text{横}}$$

$\tan 225^\circ$



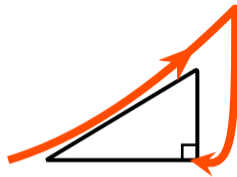
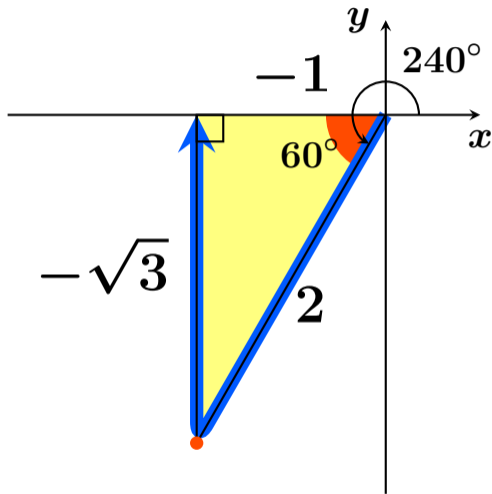
$$\begin{aligned}\tan 225^\circ &= \frac{-1}{-1} \\ &= 1 \quad \boxed{\text{答}}\end{aligned}$$

$\sin 240^\circ$



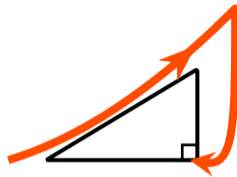
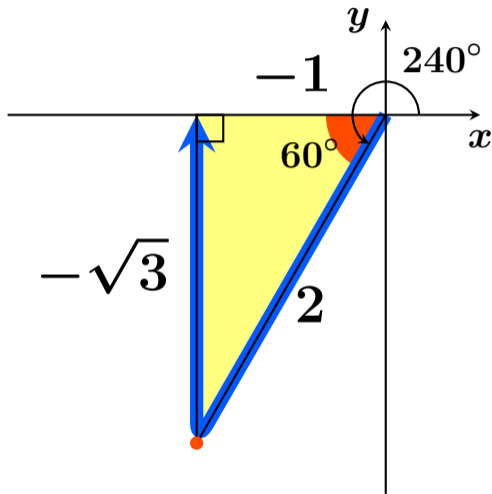
$$\sin = \frac{\text{縦}}{\text{斜め}}$$

$\sin 240^\circ$



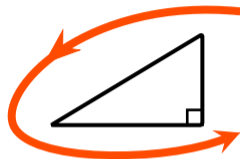
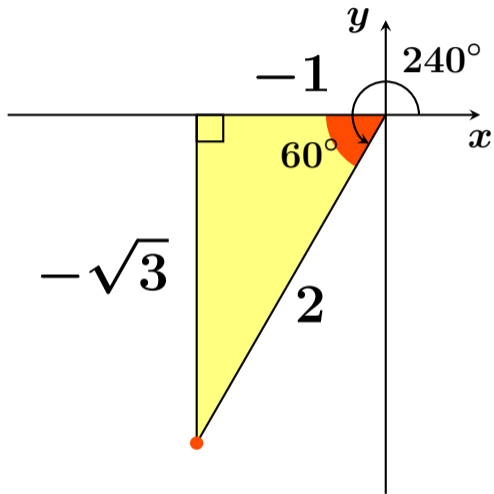
$$\sin = \frac{\text{縦}}{\text{斜め}}$$

$\sin 240^\circ$



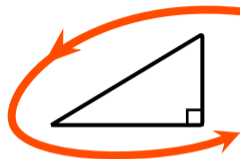
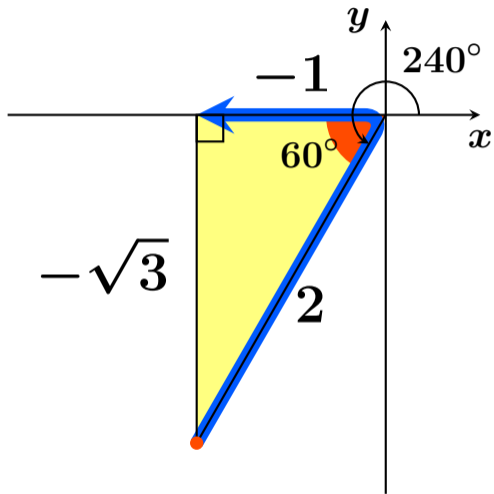
$$\sin 240^\circ = \frac{-\sqrt{3}}{2} \quad \boxed{\text{答}}$$

$\cos 240^\circ$



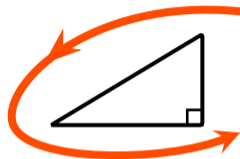
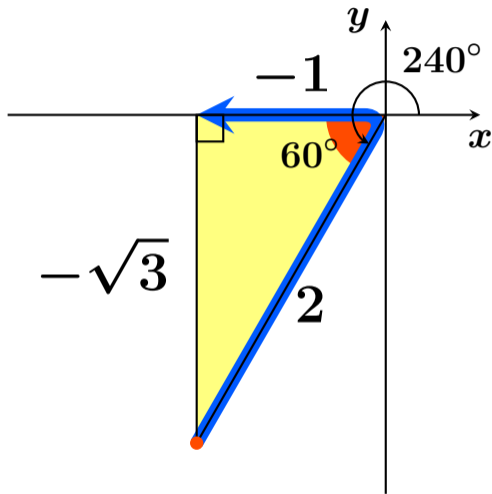
$$\cos = \frac{\text{横}}{\text{斜め}}$$

$\cos 240^\circ$



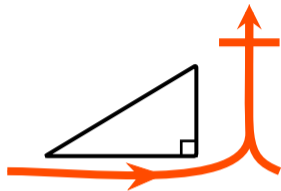
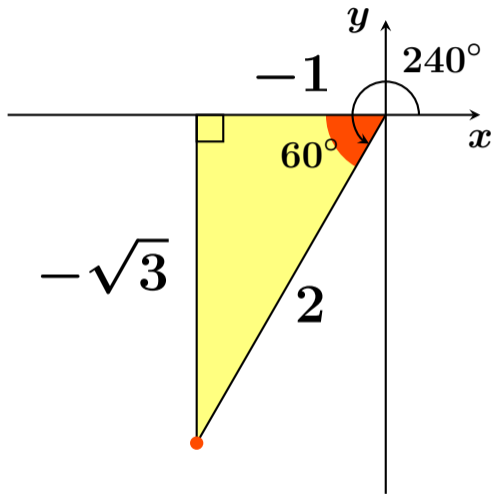
$$\cos = \frac{\text{横}}{\text{斜め}}$$

$$\cos 240^\circ$$



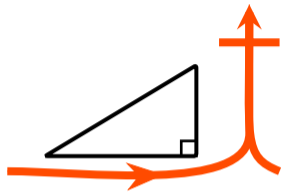
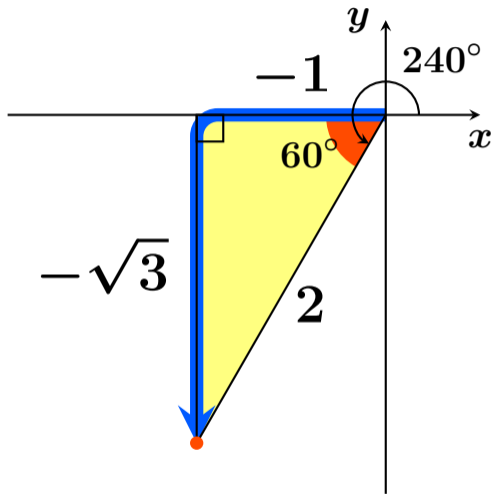
$$\cos 240^\circ = \frac{-1}{2} \quad \boxed{\text{答}}$$

$\tan 240^\circ$



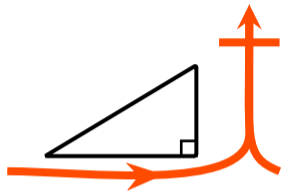
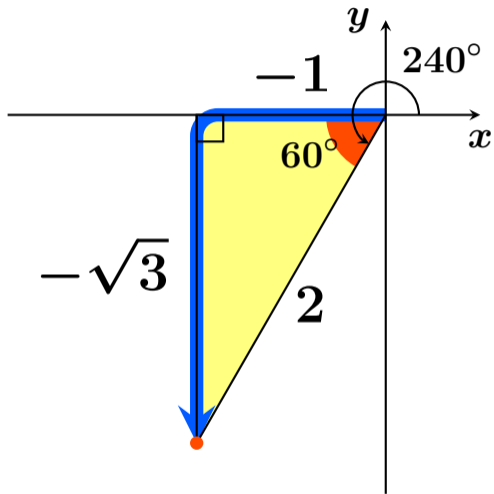
$$\tan = \frac{\text{縦}}{\text{横}}$$

$\tan 240^\circ$



$$\tan = \frac{\text{縦}}{\text{横}}$$

$\tan 240^\circ$



$$\begin{aligned}\tan 240^\circ &= \frac{-\sqrt{3}}{-1} \\ &= \sqrt{3} \quad \boxed{\text{答}}\end{aligned}$$